

## Product specification sheet

### Floor box

Type: STAKOHOME-9902-D 2x socket 230V  
 Type: STAKOHOME-9902-Dnw 1x socket 230V, 2x RJ45 Cat.6a  
**Other types (different equipment) upon request**

#### Specification:

Floor box made of solid aluminum with insert lid (which is locked when closed). The lid can be opened and closed without tools (manually). To open the lid, just one action with your finger is needed and the lid is lifted slightly by the pressure of the spring. The lid latch is just as easy to lock after being lightly pressed when closing. **The lid does not lift spontaneously by simply pressing / pushing on the lid surface, for example after stepping on the lid.**

The lid can also be closed with standard straight or curved plugs connected. **Lid: natural anodized aluminum, is IP65 protected by rotation of the lid by 180 ° (when cables are not connected).** Professional installation is a prerequisite. The design is especially suitable for double floors (raised floors). The floor socket is installed from above and fastened with the help of side screws, or assembly glue. Intake on the side and bottom: a total of 4x 25 mm holes. Installation and connection must be carried out by a specialist company / or a worker with the necessary qualified expertise. **You can use the enclosed Ø25 mm plastic plugs as blanking plugs or as bushings (by drilling) for individual cables.** **The floor covering cannot be inserted into the lid.**

**Maintenance: The floor box must be regularly checked and cleaned.**



#### Fields of application:

Houses, apartments, offices (eg. Double floors).

IP65 – by turning the lid by 180 ° (when the cables - plugs are not connected)

IP20 - during use (when cables are connected)

#### Technical data:

Material : Body, ring / frame, lid natural anodized aluminum (matt),  
 the device / socket holder is aluminum  
 Possible colors: Black, brass  
 Dimensions: Ring/frame Ø 170 mm, box aprox. Ø150x71 mm  
 Weight: cca 1400 g  
 Load-carrying capacity: can be run over (load max.500 kg)  
 Sockets/Equipment: 230V, VGA, RJ45, XLR, TV-SAT, TAE, USB, HDMI atd..

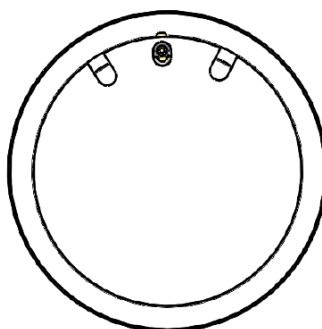
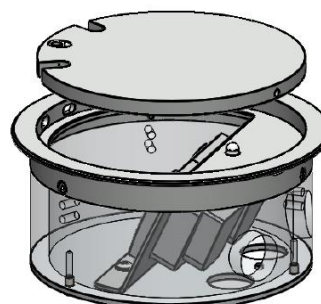
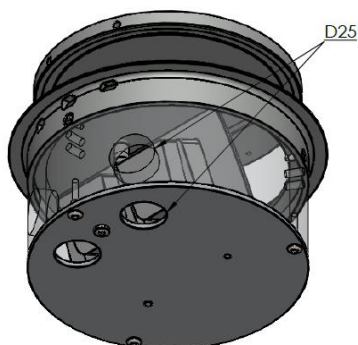
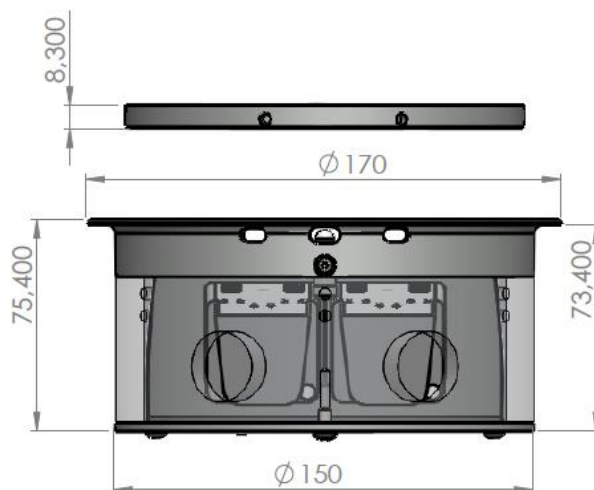
Note.: Print errors and alterations reserved.



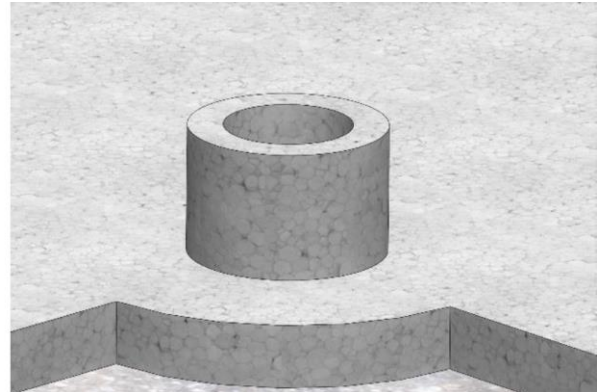
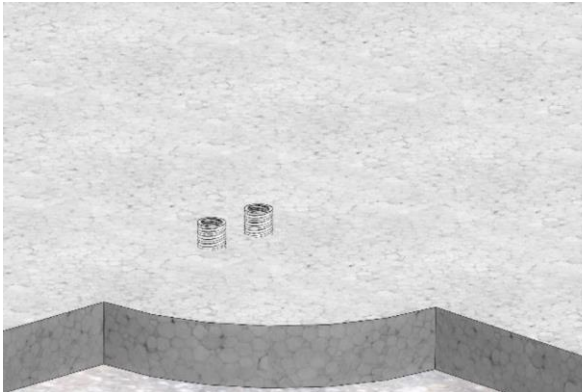
**Stakohome Network s.r.o.**  
 IČ: 27213064, DIČ: CZ27213064  
 tel.: +420 226 517 522  
 fax: +420 226 517 379  
[stakohome@stakohome.cz](mailto:stakohome@stakohome.cz)  
[www.stakohome.cz](http://www.stakohome.cz)  
[www.intelligentni-byt.cz](http://www.intelligentni-byt.cz)

Invoice adress: Podnikatelská 565, 190 11 Praha 9, Běchovice  
 Showroom and delivery adress: Aloisovská 934/8, 198 00 Praha 9, Hloubětín

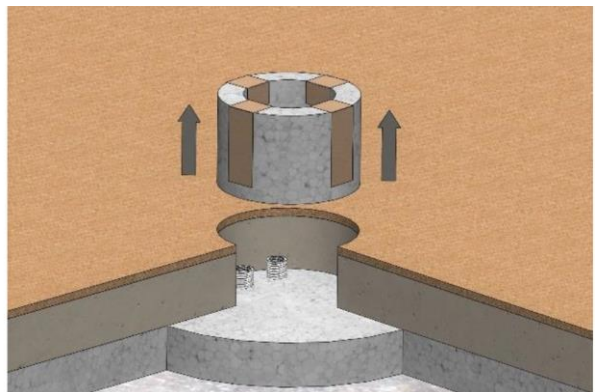
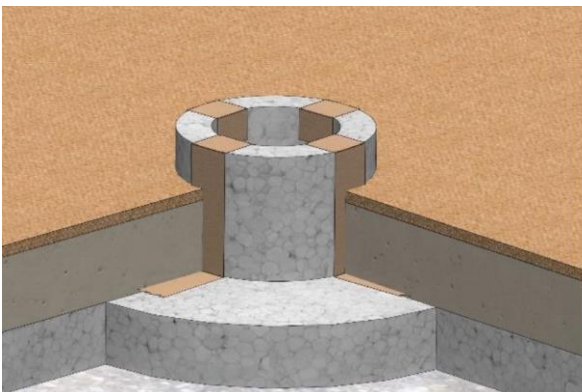
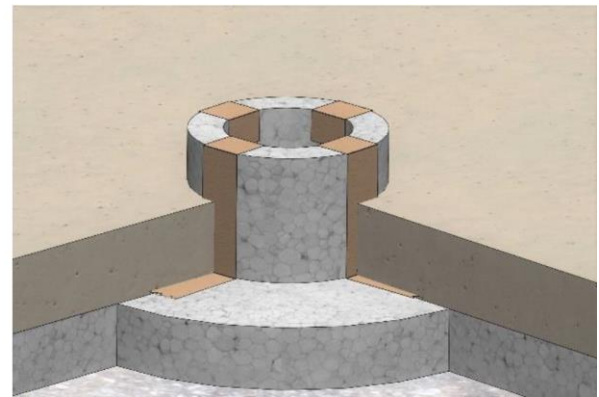
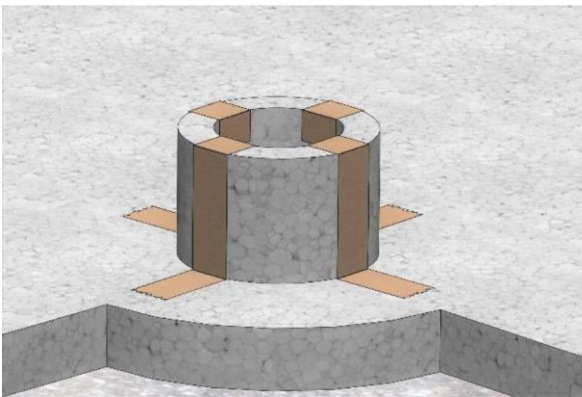
## Technical sheet



## Instalation (for STAKOHOM-9902-D) variant for concrete



Instead of the floor box, it is first fitted with a polystyrene insert or formwork. The floor box has holes for cables: 2x from below / bottom and 2x from the side. The dimensions of the formwork should be approx.  $\varnothing 152$  mm x height 100 mm

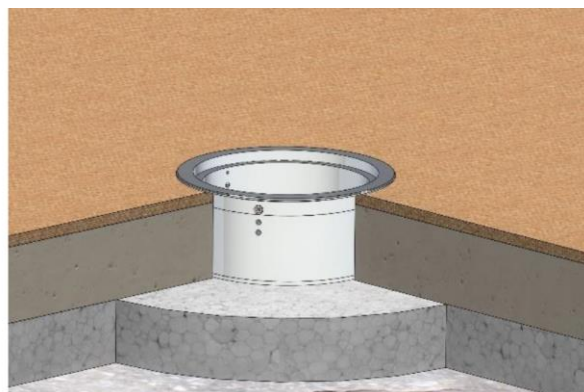
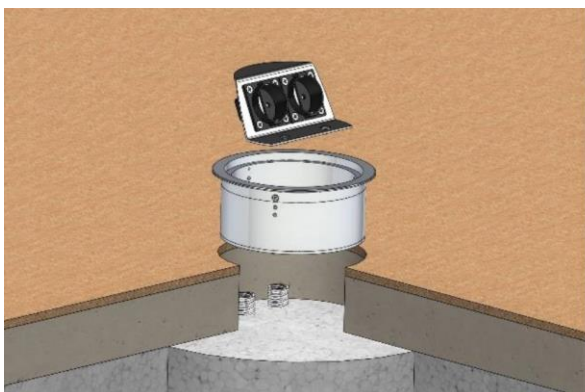


After pouring the concrete and installing the final floor covering, this polystyrene is removed.

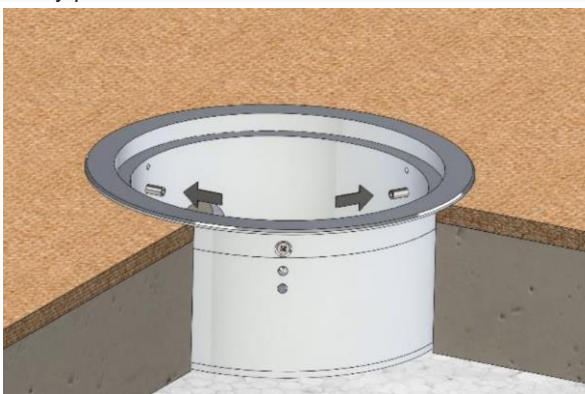
**stakohome**<sup>®</sup>

**Stakohome Network s.r.o.**  
IČ: 27213064, DIČ: CZ27213064  
tel.: +420 226 517 522  
fax: +420 226 517 379  
stakohome@stakohome.cz  
www.stakohome.cz  
www.intelligentni-byt.cz

Invoice adress: Podnikatelská 565, 190 11 Praha 9, Běchovice  
Showroom and delivery adress: Aloisovská 934/8, 198 00 Praha 9, Hloubětín



The floor box is installed from above. Insert the tube(s) with the cable(s) (or the cable itself) into the designated 25 mm holes. The enclosed Ø25 plugs are used to seal the unused hole in the floor box. The enclosed Ø25 mm plugs can also be used as bushings (by drilling) for individual cables. The socket holder, including the sockets themselves, is removed / unscrewed from the floor box. Note: the 230V socket is always supplied according to the standards on the relevant market. For the Czech Republic and Slovakia with a safety pin.



The floor box is fastened with the help of three side (inner) screws, or a mounting glue can be used (from the bottom of the upper frame / collar). Then connect the prepared cables to the sockets and fasten the socket holder back to the bottom of the floor box with two screws.

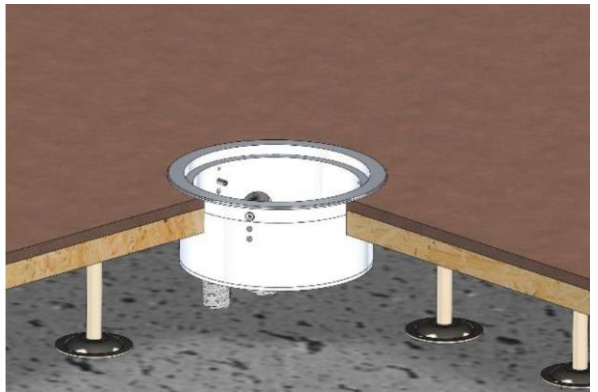
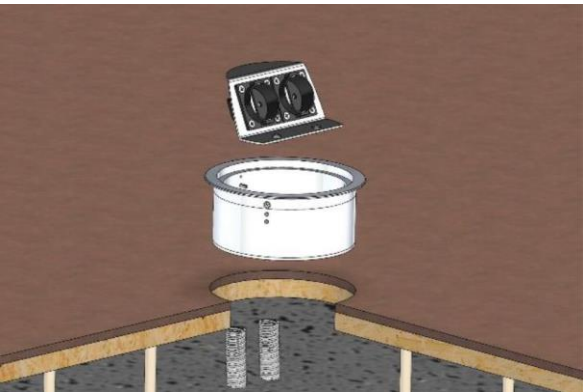


Use of the lid: IP65 - by turning the cover by 180 ° (without connected cables), IP20 - when using (with connected cables).

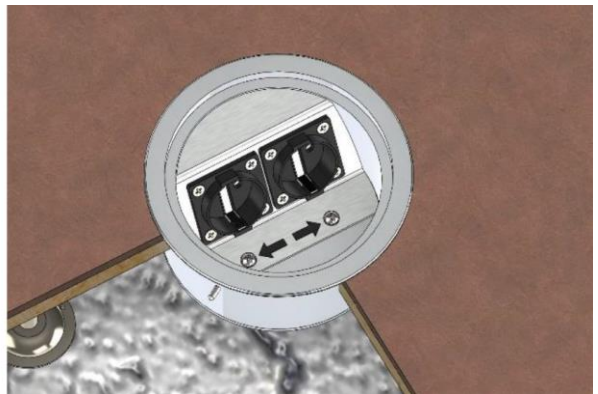
## Instalation -Variant for double floors / raised floors



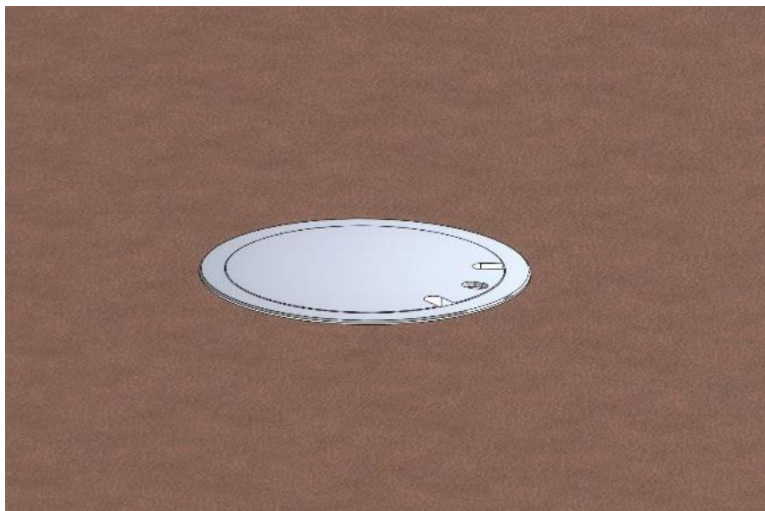
A hole of approx. Ø152 mm is drilled in the required place of the floor.



The socket holder, including the sockets themselves, is removed / unscrewed from the floor box. The floor box is installed from above. Insert the tube(s) with the cable(s) (or the cable itself) into the designated 25 mm holes. The enclosed Ø25 plugs are used to seal the unused hole in the floor box. The enclosed Ø25 plugs can also be used as bushings (by drilling) for individual cables. Note: the 230V socket is always supplied according to the standards on the relevant market. For the Czech Republic and Slovakia with a safety pin.



The floor box is fastened with the help of three side (inner) screws, or a mounting glue can be used (from the bottom of the upper frame / collar). Then connect the prepared cables to the sockets and fasten the socket holder back to the bottom of the floor box with two screws.



Use of the lid: IP65 - by turning the cover by 180 ° (without connected cables), IP20 - when using (with connected cables).